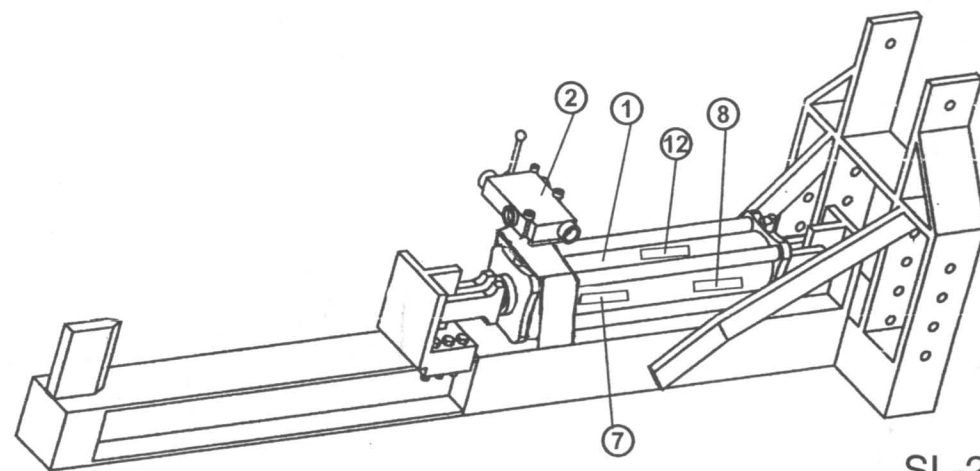
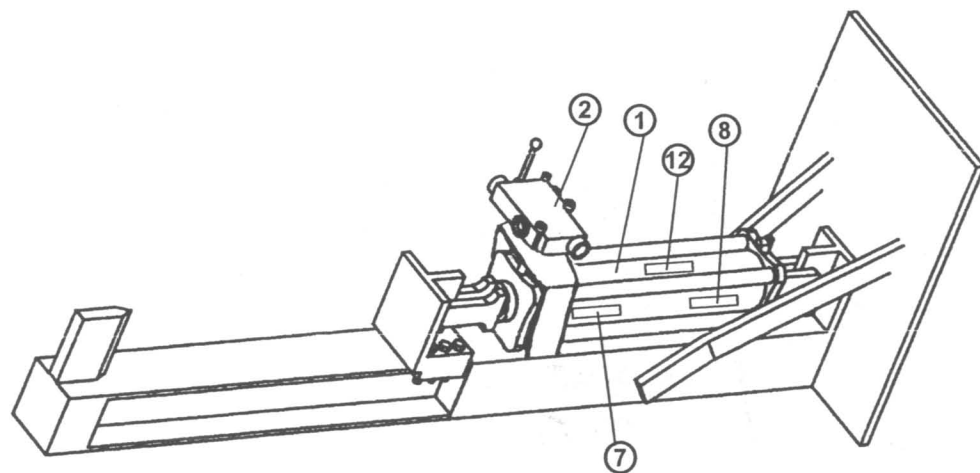


SL-2036-T & SL-2036-S PARTS LIST

- | | | | |
|---------------|---|-----------------|-----------------------------------|
| 1. SL-2036-1 | Cylinder | 7. MS-163 | Pinch Point Decal (2 per) |
| 2. SL-2030-3 | Valve | 8. MS-510 | Shaver Name Decal (2 per) |
| 3. HBP-910183 | Valve Fitting (2 per)
(not shown) | 10. SL-2036-4W | Wedge for 4-Way Split (not shown) |
| 4. SL-2030-5 | Cylinder Fitting (2 per)
(not shown) | 11. SM-1041-RLP | Road Lock Pin
(not shown) |
| 5. SM-0234-P | Hose Assembly (2 per)
(not shown) | 12. MS-171 | Cylinder Warning Decal |
| 6. SM-023-P | Hose Assembly
(not shown) | 13. SC-2550-D | Hose/Valve Fitting (Not shown) |
| | | 14. MS-203 | Reflector Decal |
| | | 15. MS-2032 | Finish Work Only Decal |



SL-2036-T



SL-2036-S

SHAYER MANUFACTURING CO.
GRAETTINGER, IOWA 51342

© Nov. 2006



LOGSPLITTER

OPERATOR'S MANUAL

MODEL SL-2024-T & SL-2024-S
 SL-2036-T & SL-2036-S

SAFETY INSTRUCTIONS

- Make sure all pins are secure and locked in the 3-point or skid loader bracket before putting machine in operation.
- DO NOT sit on any part of unit.
- DO NOT wear loose clothing while operating machine.
- Set brakes before leaving tractor seat or skid loader.
- Keep spectators clear of implement when in operation.
- DO NOT move power unit while splitting wood.
- Wear safety goggles while operating logsplitter.
- Stay completely away from all moving parts while unit is operating.



SHAYER MANUFACTURING CO.
 GRAETTINGER, IOWA • (712) 859-3293



THE PACKING LIST

Your Logsplitter will consist of 1 Assembled Unit (See illus. on page 3 & 4)

1. Logsplitter
2. 3-Point or Skid Loader Mount.

MOUNTING INSTRUCTIONS

• FOR 3-POINT MOUNT •

1. Back tractor to unit.
2. Lower 3-point arms, position to the unit on pallet, secure with (2) SC-50-83 Category I pins. Secure third arm to Logsplitter using (1) SM-1041-RLP Road Lock Pin.
3. Lift unit from pallet.
4. Hook (2) SM-0234-P Hose into tractor's hydraulics.
(Note: Quick Couplers needed must be obtained locally.)

• FOR SKID LOADER MOUNT •

1. Drive skid loader to the unit.
2. Secure unit by positioning skid loader boom to bracket lip and locking the levers or installing the pins.
3. Raise unit from pallet.
4. Hook (2) SM-0234-P Hose and Quick Couplers provided to skid loader hydraulics.

POSITIONING INSTRUCTIONS

1. Set brake or use park position on tractor or skid loader.
2. Position unit to suit your operation by using one of the following 3 positions.
 - A. Horizontal (Ground Level)- Lower unit to ground by lowering 3-point arms or skid loader boom.
 - B. Horizontal (Mid Level)- Raise unit approximately waist high. (Note: ON 3-Point Mount only- lower (2) SL-2030-T2LA Stabilizer Leg to ground and secure each leg using (1) SC-50-93 Linch Pin.
 - C. Vertical- Once unit is raised to Mid Level, remove SL: 2030-P Pivot Pin (shown on page 3 & 4 as #7) from position A. Tilt Logsplitter until straight up and down. Secure by placing SL-2030-P Pivot Pin in position B and replace clip. (This vertical position is featured on SL-2024-T 3-point Logsplitter only.)

OPERATING INSTRUCTIONS

1. Turn hydraulic power source on.
2. Place log on unit in splitting position.
3. Pull valve handle to split log with wedge.
4. Push valve handle to retract wedge.
5. Use the SL-2036-4W (4-way Wedge) on finish work only.

**PLEASE COMPLETE THE WARRANTY CARD
AND RETURN TO SHAVER MANUFACTURING CO.**

Date Purchased _____ Serial Number: _____

Model Number: _____

SL-2024-T & SL-2024-S PARTS LIST

- | | |
|------------------|---|
| 1. SL-2030-1 | Cylinder |
| 2. SL-2030-3 | Valve |
| 3. HBP-910183 | Valve Fitting (2 per)
(not shown) |
| 4. SL-2030-5 | Cylinder Fitting (2 per)
(not shown) |
| 5. SM-0234-P | Hose Assembly (2 per) |
| 6. SM-023-P | Hose Assembly |
| 7. SL-2030-P | Pivot Pin |
| 8. SM-1041-RLC | Road Lock Clip |
| 9. SC-50-83 | Cat. I 3 pt. Pin (2 per) |
| 10. SC-50-93 | Linch Pin |
| 11. MS-163 | Pinch Point Decal (2 per) |
| 12. MS-510 | Shaver Name Decal (2 per) |
| 13. SL-2550-D | Valve/Hose Fitting (Not shown) |
| 14. MS-203 | Reflector Decal |
| 15. SM-1041-RLP | Road Lock Pin |
| 16. SL-2030-T2LA | Stabilizer Leg |
| 17. MS-171 | Cylinder Warning Decal |
| 18. SL-2030-T2M | Stabilizer Bolt |
| SL-2030-T2N | Stabilizer Washer |
| SL-2030-T2P | Stabilizer Nut |
| 19. SL-2030-P | Pivot Pin |
| 20. SM-1041-RLC | Road Lock Clip |
| 21. SL-2550-D | Valve/Hose Fitting (Not shown) |

