



# FOR YOUR RECORDS

Making hard work easy

Shaver Manufacturing Company

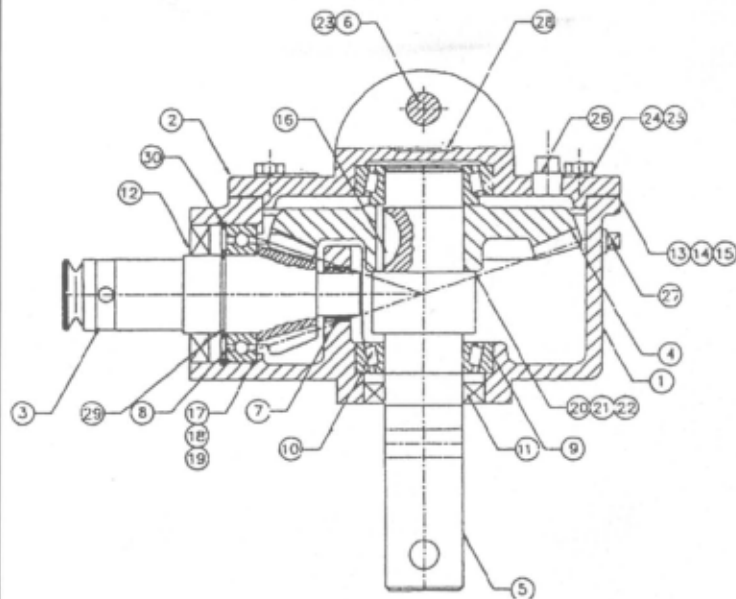
Date Purchased: \_\_\_\_\_ Serial # \_\_\_\_\_

P.O. Box 358, Graettinger, IA 51342  
Phone 712-859-3293 • FAX 712-859-3294

Where Purchased: \_\_\_\_\_ Invoice # \_\_\_\_\_

Please Return Card to Assure Warranty

## GEARBOX PARTS LIST



Gearbox Parts List			
	PART NO.	QTY	DESCRIPTION
1	SDM-010177	1	Housing
2	SDM-020226	1	Cap, Top
3	SDM-030462	1	Pinion - 12T
4	SDM-030463	1	Gear - 36T
5	SDM-040336	1	Shaft, Output
6	SDM-040337	1	Shaft, Mounting
7	SDM-050062	1	Bearing, Needle
8	SDM-050215	1	Bearing - Ball
9	SDM-050216	1	Bearing, Cup
10	SDM-050217	1	Bearing, Cone
11	SDM-060060	1	Seal - Output CR
12	SDM-060129	1	Seal - Input CR
13	SDM-070254	A/R	Gasket, Top Cap 0.1mm
14	SDM-070255	A/R	Gasket, Top Cap 0.2mm
15	SDM-070256	A/R	Gasket, Top Cap 0.5mm
16	SDM-080051	1	Key, Woodruff
17	SDM-090191	A/R	Shim, Input 0.1mm
18	SDM-090192	A/R	Shim, Input 0.2mm
19	SDM-090193	A/R	Shim, Input 0.5mm
20	SDM-090194	A/R	Shim, Output 0.1mm
21	SDM-090195	A/R	Shim, Output 0.2mm
22	SDM-090196	A/R	Shim, Output 0.5mm
23	SDM-100123	2	Cotter Pin
24	SDM-110192	6	Screw, Hex Cap
25	SDM-130006	6	Lockwasher
26	SDM-140000	1	Plug, Pipe
27	SDM-140017	1	Plug, Pipe
28	SDM-200142	1	Retaining Ring
29	SDM-200143	1	Retaining Ring

**CAUTION**  
Does Not Contain Oil  
Fill Before Operating

FILL GEARBOX WITH  
SAE 90  
101 - 1 PINT



Making hard work easy

Shaver Manufacturing Company

Setting the standard in fencing and landscape equipment

P.O. Box 358, Graettinger, IA 51342 • 712-859-3293 • FAX 712-859-3294

© April 2004



# POST HOLE

FILL GEARBOX WITH  
SAE 90  
101 - 1 PINT

# DIGGER

**CAUTION**  
Does Not Contain Oil  
Fill Before Operating

# OPERATOR'S MANUAL MODEL 101

**SAFETY INSTRUCTIONS**

Keep all shields and safety decals in place.  
PTO shield **MUST** be installed before operating.  
DO NOT wear loose clothing while operating machine.  
DO NOT exceed PTO operating speed of 540 RPM.  
DO NOT operate implement with PTO angle in excess of 45.  
Shut off tractor engine, set brakes, leaving tractor seat.  
Keep spectators clear of implement when in operation.  
Check drive shaft set screw before each use.  
DO NOT move tractor while in the process of digging hole.  
Use only shear bolts provided by manufacturer. If not available use Grade 2 bolts.  
Wear safety goggles while operating digger.  
Stay completely away from PTO shaft while unit is in operation.

**DANGER**

TO PREVENT SERIOUS INJURY OR DEATH:  
Si no entiende inglés, se prefiere que busque a alguien que interprete las instrucciones para usted.

- Read and understand Owner's Manual before operating.
- Operate only from tractor seat.
- Stay away from rotating parts. Keep others away.
- Do not dig around underground utility lines without checking with authorities.

**DANGER**

TO PREVENT SERIOUS INJURY OR DEATH:

- Contact dealer, make sure your machine has all permanent guards and shields in place.
- Do not operate without all guards and shields in place.
- Do not operate when auger is higher than 12 inches above ground level. Doing so may cause driveline to bind, resulting in equipment damage or operator injury.
- Stop auger rotation before maneuvering, relocating or transporting.

**DANGER**

Rotating Parts Hazard  
Keep Away

TO PREVENT SERIOUS INJURY OR DEATH FROM ROTATING PARTS:  
Si no entiende inglés, se prefiere que busque a alguien que interprete las instrucciones para usted.

- Read and understand Owner's Manual before operating.
- Do not operate without shields and guards in place.
- Do not use body weight to force auger into the ground or to rotate auger past shaft set screw.
- Keep away from auger, cutting head, and driveline when auger is running.

**DANGER**

**GUARD MISSING**  
When this is visible  
DO NOT OPERATE

**KEEP CLEAR!**  
Keep Others Away!  
ENTANGLEMENT HAZARD  
can cause Serious Injury or Death

Si no entiende inglés, se prefiere que busque a alguien que interprete las instrucciones para usted.

- Always manually position the auger or manually force the auger into the ground.
- This machine is designed to be operated ONLY from the tractor seat.
- Keep everyone clear of all moving parts of the digger while in operation.

**DANGER**

DO NOT ATTACH THIS IMPLEMENT OR ATTEMPT TO OPERATE UNTIL YOU HAVE READ AND UNDERSTOOD ALL INSTRUCTIONS IN THE OWNER'S MANUAL. IF AN OWNER'S MANUAL IS NOT AVAILABLE CONTACT:

SHAVER MANUFACTURING CO.  
GRAETTINGER, IOWA 51342  
(712) 859-3293



SHAVER MANUFACTURING CO.  
GRAETTINGER, IOWA • (712) 859-3293

# ASSEMBLY INSTRUCTIONS

(Please refer to illustration on the next page.)

- Attach #16 Arch to lower hitch points. If tractor has Category I hitch, use #5 Bushings provided. (May not be required)
- Attach #16 Arch to #10 Boom with #18 Pin and Cotter pins provided.
- Attach #6 Gearbox to #10 Boom with #20 Pin and Cotter pins provided.
- Attach #12 PTO Shield to top of #6 Gearbox.
- Prepare #15 PTO for attachment.
  - Remove any foreign material or paint from input shaft on #6 Gearbox.
  - Attach #15 PTO to #6 Gearbox. *Hair Pin Clip*
  - Make sure #24 roll pin is in groove of input shaft of #6 Gearbox but not tight against bottom of groove so yoke will rotate freely.
  - Put in #13 Shear Bolt and #14 Shear Nut.
- Place #1 Snap Yoke on #15 on back page tractor PTO (see illustration on PTO parts)
- Raise and lower the #10 Boom through its complete operation arc and check that nothing interferes with the operation. If anything interferes, make the proper three-point adjustments.
- Attach the #7 Output Shaft Shield to lower gearbox with #8 Bolts and #9 Lockwashers.
- Attach the Auger to #6 Gearbox using #2 bolts, #4 lockwashers, and #3 hexnuts provided. Attach using the bottom hole on #6 Gear Box output shaft only.

# OPERATING INSTRUCTIONS

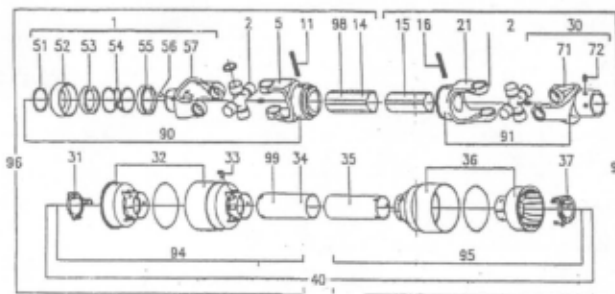
- Lower Auger point slowly to ground. Auger point should be about 4" to the rear of the plumb line of the center of the top of the Auger.
- Set brake or use PARK position.
- Engage PTO shaft clutch at half throttle and slowly lower Auger into ground. In some types of soil it may be necessary to hold Auger back from screwing itself into the ground with the Hydraulic Control lever.
- In some types of soil, for best cleaning action, allow Auger to dig a foot or so and raise Auger almost out of the ground and then dig deeper. Repeat as necessary.
- When Auger has reached the desired depth, leave Auger at this depth for a very short period to assist in cleaning out the hole.
- If Shear Bolt shears, replace with Manufacturer's Shear Bolt or with one of same Specification Number Grade 2. *1/4 x 3 Gr. 2*
- If Auger becomes lodged below ground, DO NOT attempt to lift Auger out of ground by Hydraulic Lift power alone. Reverse the rotation of the Auger by several turns. This can be accomplished by using a bar on the universal joints. After freeing the Auger, slowly lift with Auger slowly rotating.
- DO NOT transport digger with PTO Shaft engaged. This may result in damage to universal joints.
- Check digger daily for any loose bolts, damaged bolts, securing pins, etc.

### LUBRICATION SCHEDULE

- Fill Gearbox with 1 pint of SAE90.
- The Digger Gear Box should be checked periodically to maintain correct oil level.
- After the first fifty (50) hours it is recommended that the gear box be drained, flushed and refilled with SAE 90 EP. Then every 250 hours.
- Universal joints to be greased after digging 300 holes. Tube and Shaft every other time.

To Be Used on Tractors with 25HP or Less, Only!

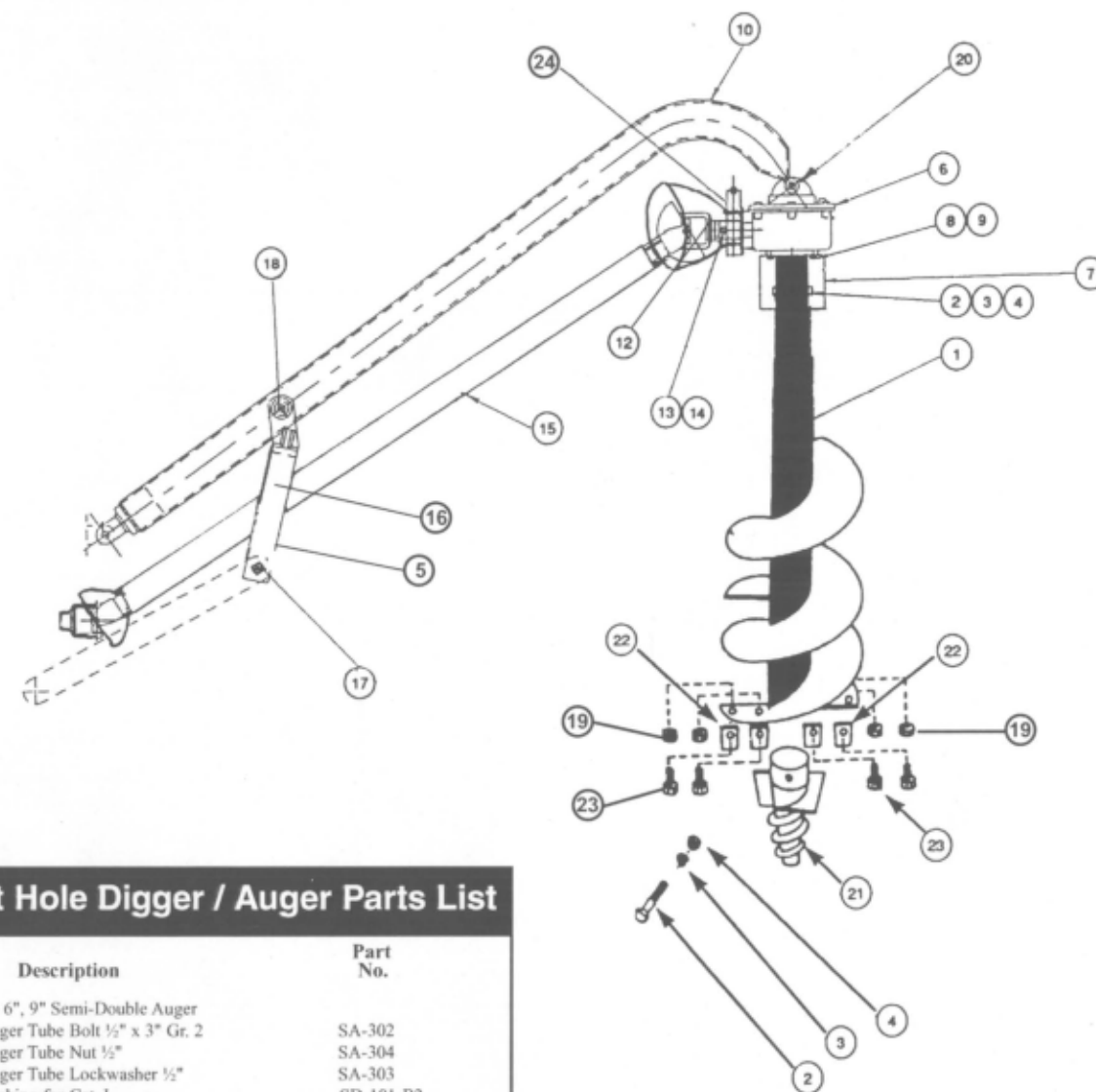
# PTO SHAFT PARTS LIST



### SD - 067 - 2W PTO Shaft Parts List

Pos.	Part Number	Description	Pos.	Part Number	Description
1	SD-067-20W1	Complete collar yoke	51	SD-067-20W10	Outer circlip
2	SD-067-222	Cross journal set	52	SD-067-20W11	Sliding sleeve collar
5	SD-067-20W2	Outer yoke	53	SD-067-20W12	Ball hold-up ring
11	SD-067-20W3	Roll pin for outer tube	54	SD-067-20W13	Spring
14	SD-067-20W4	Outer tube	55	SD-067-20W14	Fixed Sleeve
15	SD-067-20W5	Inner tube	56	SD-067-20W15	Ball 1/2"
16	SD-067-20W24	Roll pin for inner tube	57	SD-067-20W16	Yoke C02
21	SD-067-20W7	Inner yoke	71	SD-067-20W17	Special yoke
30	SD-067-20W8	Complete special yoke	72	SD-067-20W18	Grease fitting
31	SD-067-29	Guard retaining collar for outer tube	90	SD-067-20W19	U Joint for outer tube
32	SD-067-211	Cone for outer tube	91	SD-067-20W20	U Joint for inner tube
33	SD-067-20	Bolt (not shown)	94	SD-067-217	Half female guard
34	SD-067-212	Outer guard	95	SD-067-218	Half male shaft with guarding
35	SD-067-213	Inner guard	96	SD-067-20W21	Half female shaft with guarding
36	SD-067-215	Cone for inner tube	97	SD-067-20W22	Half male shaft with guarding
37	SD-067-214	Guard retaining collar for inner tube	98	SD-067-20W23	"Danger" Label for outer tube
40	SD-067-20W	Complete guard	99	SD-067-20W24	"Danger" Label for outer guard tube

# 101 POST HOLE DIGGER "The Mouse"



### 101 Post Hole Digger / Auger Parts List

Illus. No.	Description	Part No.
1	4", 6", 9" Semi-Double Auger	
2	Auger Tube Bolt 1/2" x 3" Gr. 2	SA-302
3	Auger Tube Nut 1/2"	SA-304
4	Auger Tube Lockwasher 1/2"	SA-303
5	Bushing for Cat. I	SD-101-B2
6	Gearbox	SD-101-GB
7	Output Shaft Shield	SD-069
8	Output Shield Bolt 1/4 x 1/2 HH05	HHCS
9	Output Shield Lockwasher 1/4"	1/4"
10	Boom Complete	SD-101-BC
12	PTO Shield	SD-06702-PTS
13	Shear Bolt 1/4 x 2 1/2 Gr. 2	SA404
14	Shear Nut 1/4 Locknut	SA405
15	PTO Shaft	SD-067-2W
16	Arch Complete	SA-101-AC
17	3/8 x 1 1/2 Lynch Pin	SA-408
18	Boom Center Pin 5/8" Diameter	SD-101-CP
19	Auger Teeth Nut 1/2"	SA-62302
20	Boom End Pin 9/16" (14 mm.)	SD-101-EP
21	Auger Point	SA-304-P
22	Auger Teeth	SA-6230
23	Auger Teeth Bolt 1/2 x 1 1/4	SA-62301
24	Roll Pin 3/16 x 2	SA-4021